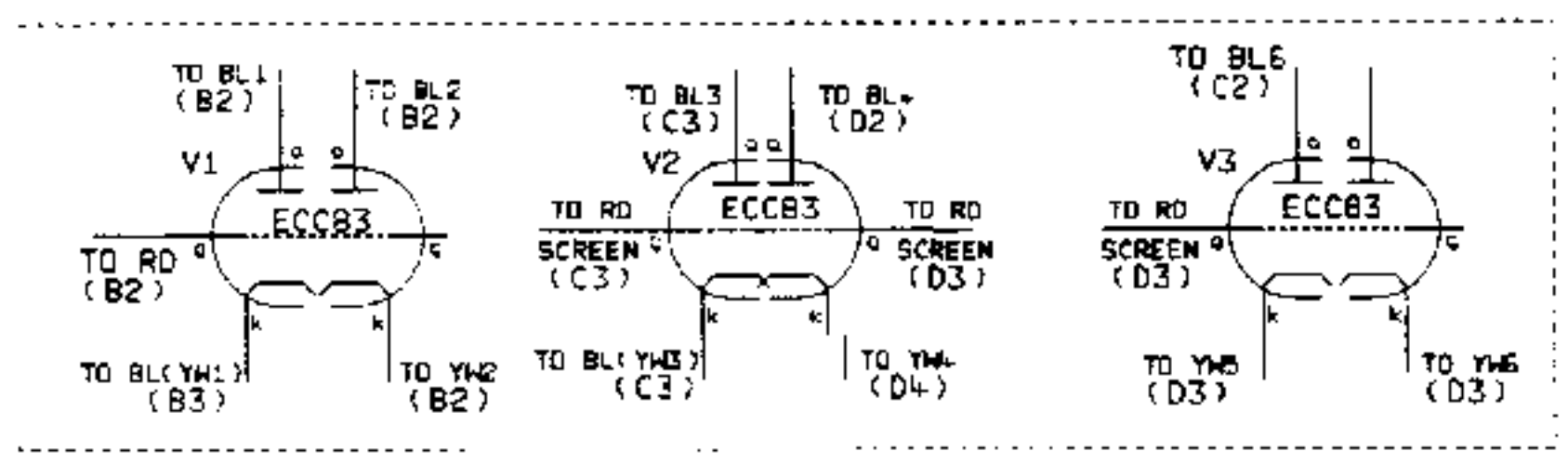
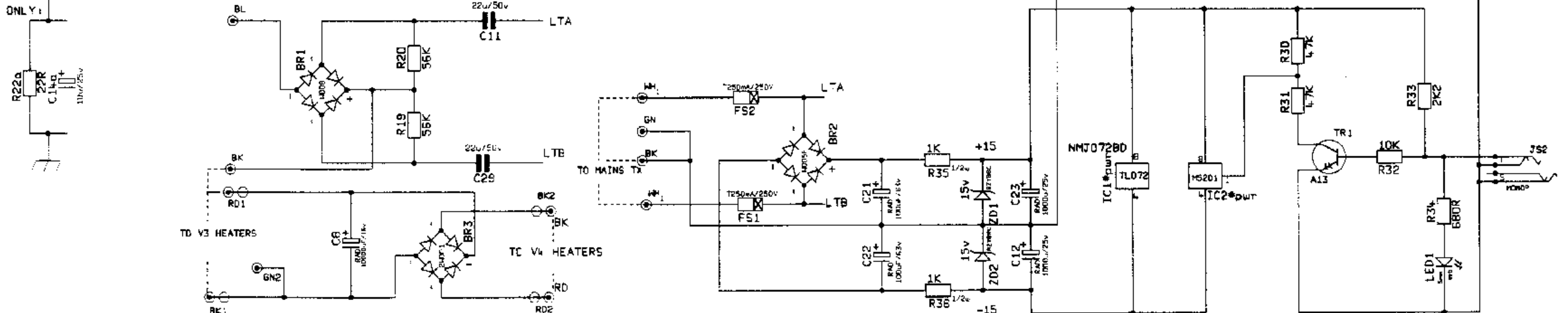


FOR 2500SLX ONLY:



NOTE
 ALL RESISTORS ARE 1/4W UNLESS OTHERWISE SPECIFIED
 DOTTED LINES DENOTE WIRES OF THE P.C.B.
 P1(D4) = TO PAGE 1 GRID LOCATION REF D4

UNSPECIFIED HOLE DATA			MATERIAL		DIMENSIONS IN		TITLE	
ISS	ECD NUMBER	DATE	A	H	MATERIAL THICKNESS	TOLERANCE (UNLESS OTHERWISE STATED)	PRE AMP CCT	
5	0459	23/02/94	B	J	INTERNAL BEND RADIUS	DIMENSIONAL	A2	
4	0461	10/1/94	C	K	EXTERNAL S/A	CENTRES	DWG.No. SLXa-61-02	
3	0428	09/11/93	D	L	BEND DIE	ANGULAR	ISSUE 5	
2	0374	29/06/93	E	M	DRAWN T.FOY	MODEL	© MARSHALL AMPLIFICATION PLC. DENBIGH ROAD, BLETCHLEY, MILTON KEYNES, MK: 10G. TEL (0908)375411 FAX (0908)376118	
1	MANUFACTURE RELEASE	05/05/93	F	N	CHECKED	DATE 05/05/93	2100SLX/2500SLX	
			G	P	APPROVED	DATE		



COPYRIGHT EXISTS ON THIS DOCUMENT. IT MUST NOT BE USED FOR ANY PURPOSE THAN THAT FOR WHICH IT IS SUPPLIED AND MUST NOT BE COPIED IN WHOLE OR IN PART WITHOUT WRITTEN PERMISSION FROM
 © MARSHALL AMPLIFICATION PLC.
 DENBIGH ROAD, BLETCHLEY, MILTON KEYNES, MK: 10G.
 TEL (0908)375411 FAX (0908)376118