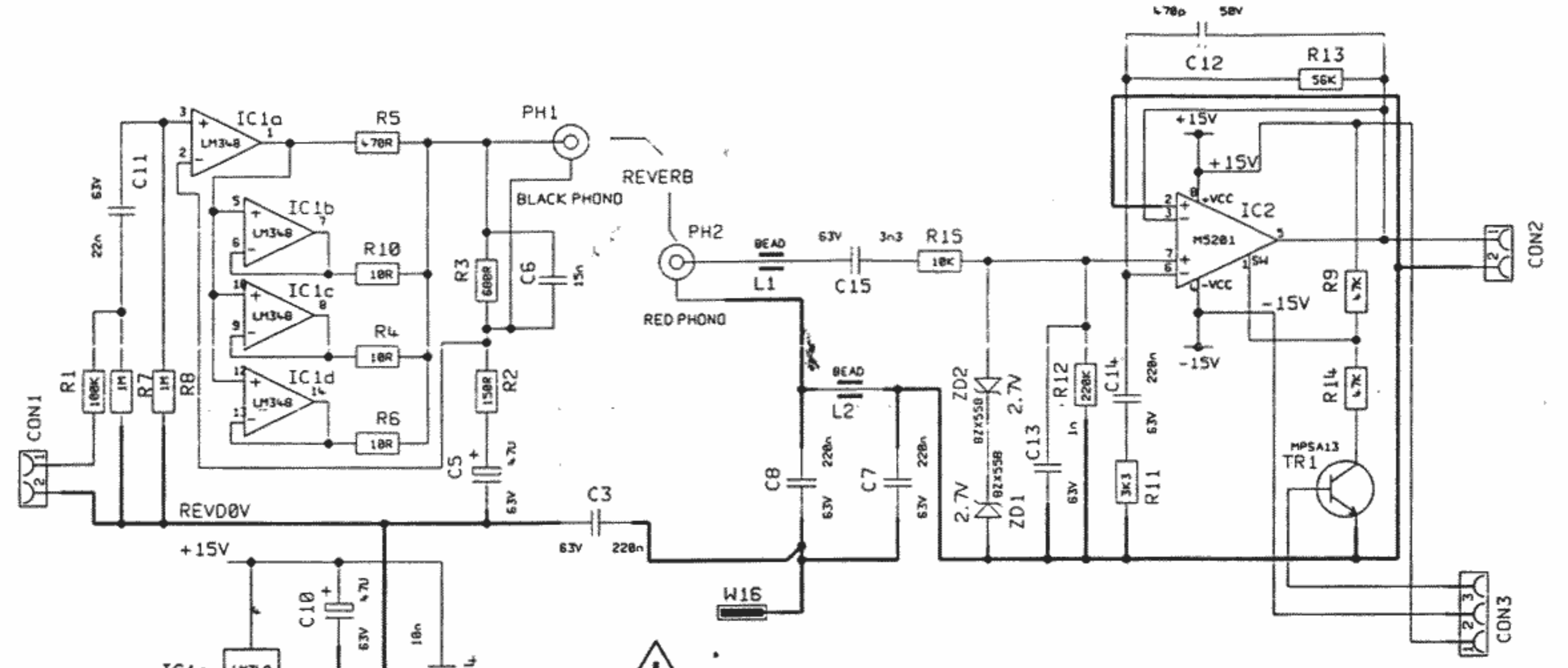


CON1->CON4  
JCM2-60-00

CON2->CON8  
JCM2-62-00

CON3->CON4  
JCM2-61-00



**115V UNITS**  
TYPE 19198  
T1AMP

**230V UNITS**  
TYPE 19195  
T1AMP



STOCK No. TXMA-00066  
PART No. D2179

STOCK No. TXMA-00062  
PART No. D2135

STOCK No. TXMA-00061  
PART No. D2105

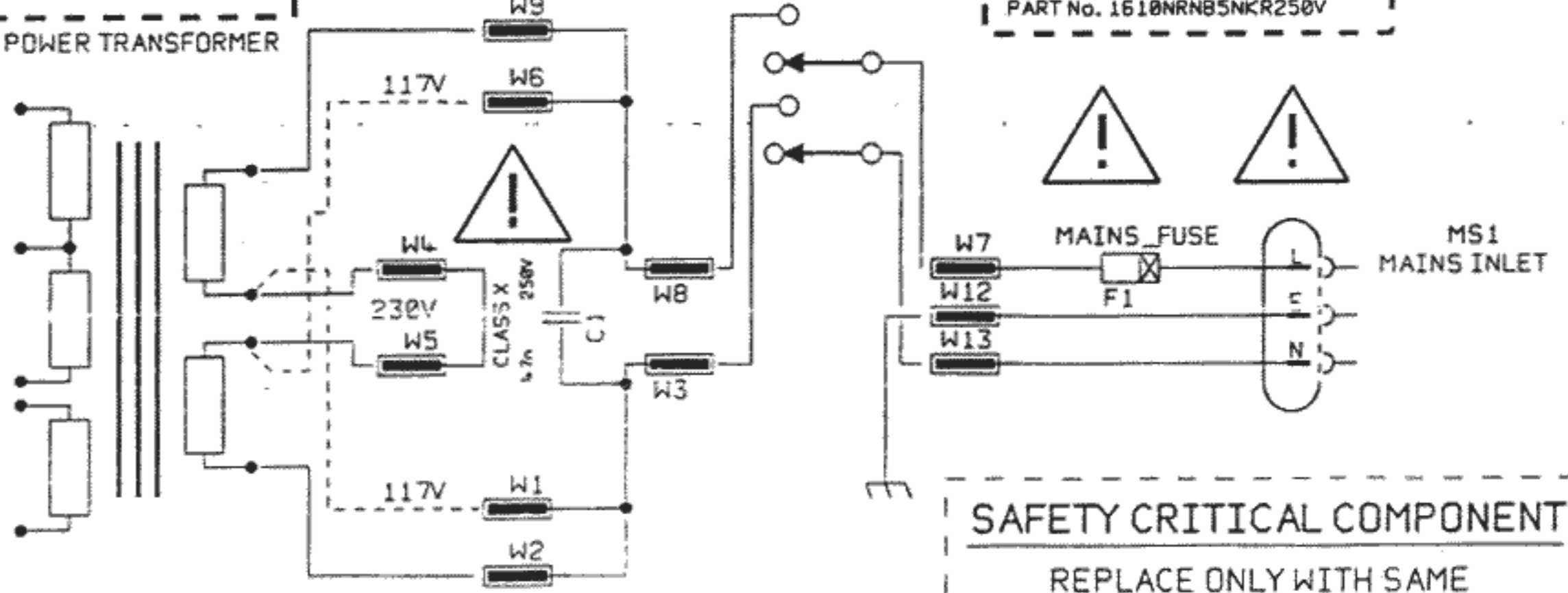
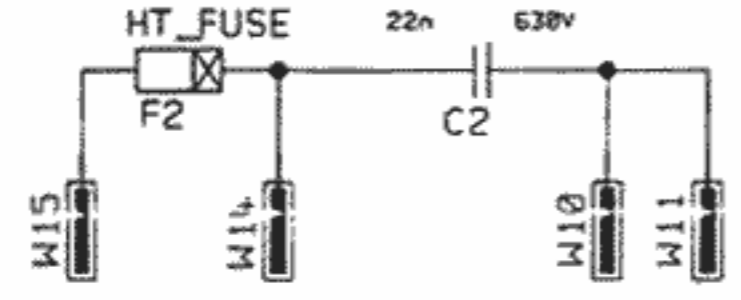
**POWER TRANSFORMER**



**MAINS SWITCH**

**115V UNITS**  
F1=T1AMP TYPE 19343  
MAINS SWITCH=STOCK No. S151  
PART No. 1310NB5NKR125V

**230V UNITS**  
F1=T2AMP TYPE 19195  
MAINS SWITCH=STOCK No. S217  
PART No. 1610NRNB5NKR250V



**SAFETY CRITICAL COMPONENT**

REPLACE ONLY WITH SAME  
TYPE AND RATING.

ISS		ECO NUMBER		DATE		ALL OTHER HOLES =		X = (THROUGH PLATED)		MATERIAL		DIMENSIONS IN		TITLE	
1		PRODUCTION ISSUE		30/4/97		A		E		J		N		TOLERANCE (UNLESS OTHERWISE STATED)	
A		B		C		D		E		F		G		H	
MATERIAL THICKNESS		DRAWN		DATE		CHECKED		DATE		APPROVED		DATE		MODEL	
5G		28-12-96		23-6-97		JCM2000		JCM2000		MARSHALL AMPLIFICATION PLC		DENBIGH ROAD, BLETCHEY, MILTON KEYNES, MK1 10R.		TEL: (01908) 375411 FAX: (01908) 376110	
ISS 1		JCM2-63-00.DGM		ISS 1		JCM2000		SUPER LEAD STANDARD REVERB/MAINS INPUT		DWG.No.		JCM2-63-00.DGM		ISS 1	